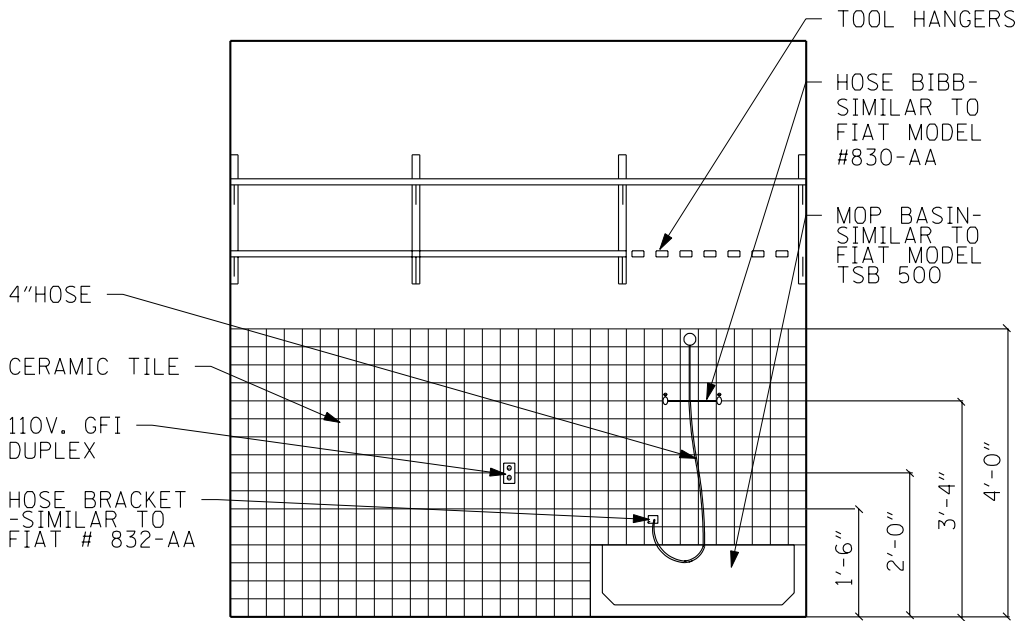


**PLAN**

SCALE:  $\frac{3}{8}'' = 1'-0''$



**A ELEVATION**

SCALE:  $\frac{3}{8}'' = 1'-0''$

**Custodial Closet**

DIVISION: SBA  
SECTION:  
FILE: SBAD01.001